

Residential Use

CD ONE TRP MID WATER METER



Single jet sealed register and fully protected dry dial water meters

CD ONE TRP MID is the latest range of single jet water meters by Maddalena. CD ONE TRP MID meters feature a sealed register and a fully protected dry dial design. CD ONE TRP MID meters comply with the strict requirements of the Directive 2004/22/EC on measuring instruments and of European Standard EN 14154. CD ONE TRP MID meters combine high performance at low flow rates and maximum resistance to high flow rates and pressure. CD ONE TRP MID meters are designed for remote communication: they may be equipped with a latest generation pulse emitter and a radio module maintaining the mechanical and metrological features and without affecting readability. CD ONE TRP MID meters are guaranteed by Maddalena: manufacturer of high quality measuring instruments for the past century.



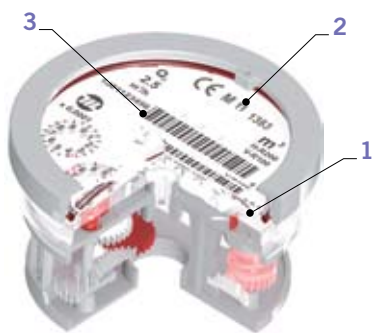
www.maddalena.it

CD ONE TRP MID WATER METER

CD ONE TRP MID is a **single jet water meter for cold and hot water. It features a sealed register and a fully protected dry dial design.** The totalizer and the dial face with the MID inscriptions and serial number are not in contact with the water thus ensuring readability with scaling or ferrous water or where small debris may be encountered. Readability is ensured by **the tempered mineral glass lens.** Unlike plastic lenses it is scratch resistant and does not turn opaque; the surface is also totally smooth for perfect visibility.

CD ONE TRP MID meters are tamperproof and insensitive to external magnetic fields. Metrological performance is not affected by the installation conditions and by the water characteristics. CD ONE TRP MID water meters may be equipped with a latest generation static bidirectional pulse emitter. They also come pre-equipped to **retrofit the pulse emitter** maintaining the meter's performance and design and **the mineral glass lens.**

CD ONE TRP MID water meters comply with Directive 2004/22/EC (Annex MI-001) and are certified in accordance with conformity assessment procedure B+D. The **maximum measuring range Q3/Q1 (R) certified is 250** which allows to obtain water meters with lower R values (160, 125, 100, etc.). CD ONE TRP MID water meters are also certified for use with potable water in accordance with Italian (D.M. 6/4/2004 no. 174) and international regulations.



Technical Specifications

- **Tempered glass lens** of adequate thickness **(1)**
- **The totalizer, the fractional dials, the inscriptions (MID) and the serial number are in a dry compartment and remain always readable (2)**
- The version retrofittable with the pulse emitter maintains both the **mineral glass lens** and inscriptions
- **The serial number is marked on the dial both in numbers and in bar code format. It is also engraved on the closing ring (3)**
- A non-return valve fitted into the coupling is available upon request
- Internal components are made of anhygroscopic, anti-scaling and hard-wearing plastic materials
- Maximum water temperature: 50°C (cold water) and 90°C (hot water)
- Nominal working pressure: 16 bar
- Installation: horizontal or vertical. No upstream and downstream straight pipe requirements.
- Hydraulic tests are carried out at three flow rates (Q1, Q2, Q3) on 100% of the production. Our testing benches comply with standards ISO 4064/3 and ISO 4185 (EN 14154/3) and are approved by a European notified body
- Hot forged brass body
- Hot forged closing ring
- Stainless steel numbered drums' shaft
- Inlet strainer with wide straining area



HYDRAULIC PERFORMANCE

SIZE	mm	15	20	25
	in	½	¾	1"
Module B no.	TCM 142/08-4627			
Module D no.	0119-SJ-A010-08			
Metrological class MID	R (Q3 / Q1) ≤ 250 H - ≤ 100 V			
Performance in accordance with Directive 2004/22/CE				
Q₃	m³/h	2.5	4.0	6.3
Q₄	m³/h	3.13	5.0	7.9
R160				
Q₁	l/h	15.6	25	-
Q₂	l/h	25	40	-
R100				
Q₁	l/h	25	40	63
Q₂	l/h	40	64	100.8

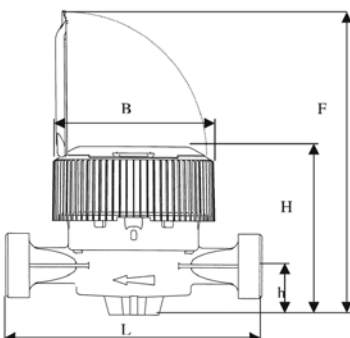
R options available upon request

TECHNICAL SPECIFICATIONS

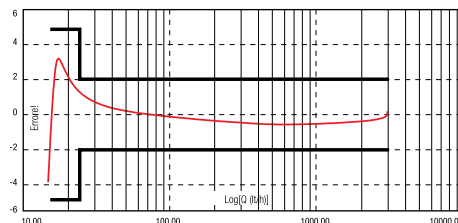
Maximum permissible error between Q₁ and Q₂ (excluded)		+/- 5%		
Maximum permissible error between Q₂ (included) and Q₄		+/- 2% with water temperature ≤ 30° C +/- 3% with water temperature > 30° C		
Temperature class		T30, T50 and T30/90		
Flow profile sensitivity classes		U0 - D0 (no upstream and/or downstream straight lengths requirements)		
Starting flow rate	l/h	4-5	7-9	16-18
Pressure loss class (ΔP at Q₃)	bar	ΔP 63		
Nominal pressure	bar	16	16	16
Maximum reading	m³	100,000	100,000	100,000
Minimum reading	l	0.05	0.05	0.05
Turbine revolutions per litre		29.76	22.83	12.53
Weight	kg	0.75	0.92	1.25
Pulse options	l/pulse	1-10 (Quadrplus); 1-10-100-1000 (Reed)		

DIMENSIONS

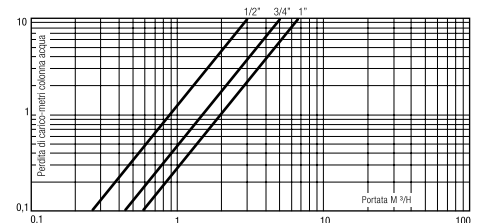
L	mm	110-115	130	160
Length with couplings	mm	190-195	228	260
H	mm	87	87	87
h	mm	25,5	25,5	25,5
B	mm	82,4	82,4	82,4
F	mm	158	158	158



Typical error curve



Headloss diagram



ACCESSORIES



REED SINGLE PULSE EMITTER

Suitable for industrial batching.



QUADRAPLUS PULSE EMITTER

Static bidirectional pulse emitter; designed to detect false pulses; battery-powered.



ARROW RADIO MODULE

Paired with the Quadrapuls static pulse emitter or reed single pulse emitter it enables the remote reading of water meters.



NON-RETURN VALVE

Fitted into the coupling; designed to stop reverse flow that may damage the water meter.



COUPLING KIT

It consists of two nuts, two tail pieces and two gaskets.



SEALS

Designed to secure the water meter to the pipe.

For more information on the accessories please refer to the relevant data sheet.

 **maddalena**[®]
www.maddalena.it

MADDALENA spa
Via G.B. Maddalena 2/4
33040 Povoletto (Ud)
Tel. +39 0432 634811
Fax +39 0432 679820
info@maddalena.it

  
ISO 9001 - Cert. n° 0773/5

For more information, please contact your sales representative:

[]

[]