

## DS S/D MTW-001

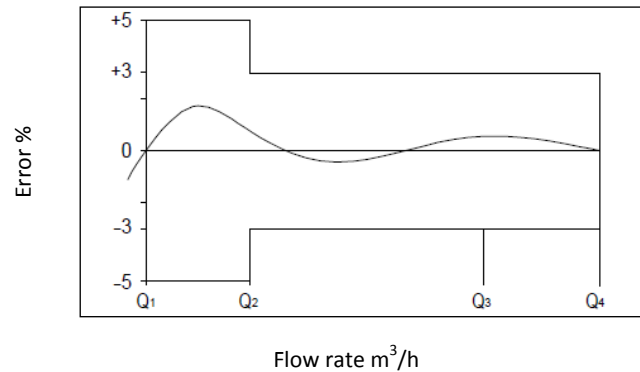
### FEATURES

Multi-jet super dry water meter, magnetic drive

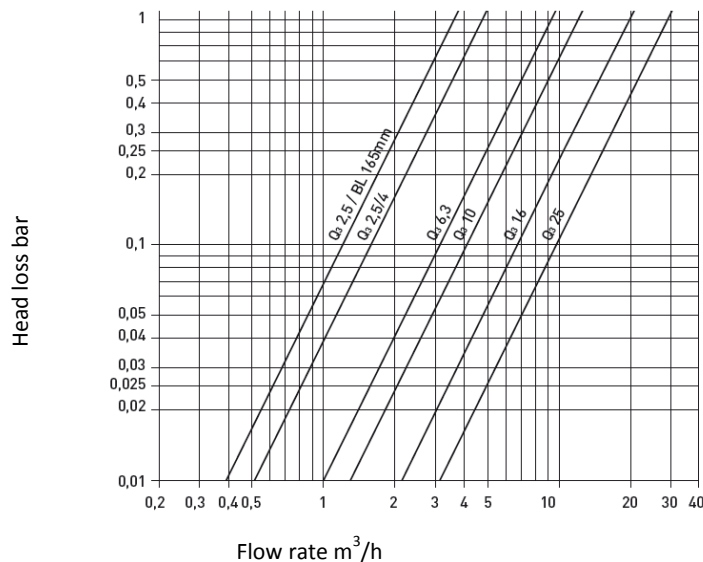
- Suitable for domestic hot water
- Maximum operating temperature: 90 °C
- Certified to Directive 2004/22/EC (Annex MI-001)
- Environmental class B, accuracy class 3 (EN 1434)
- Brass body (flanged design) or cast iron body (threaded design)
- Nominal pressure: PN16 (threaded design) or PN25 (flanged design)
- Pre-equipped version for retrofitting a reed switch pulse emitter available upon request
- Rotatable dial for easy reading
- Inlet strainer
- Hard metal bearings
- Wear and corrosion resistant materials
- Horizontal or vertical installation (flanged design: horizontal installation only)
- Hydraulic tests are carried out at three flow rates ( $Q_1$ ,  $Q_2$ ,  $Q_3$ ) on 100% of the production. Our testing benches comply with standard ISO 4064/3 and ISO 4185 and are approved by a European notified body.



### TYPICAL ERROR CURVE



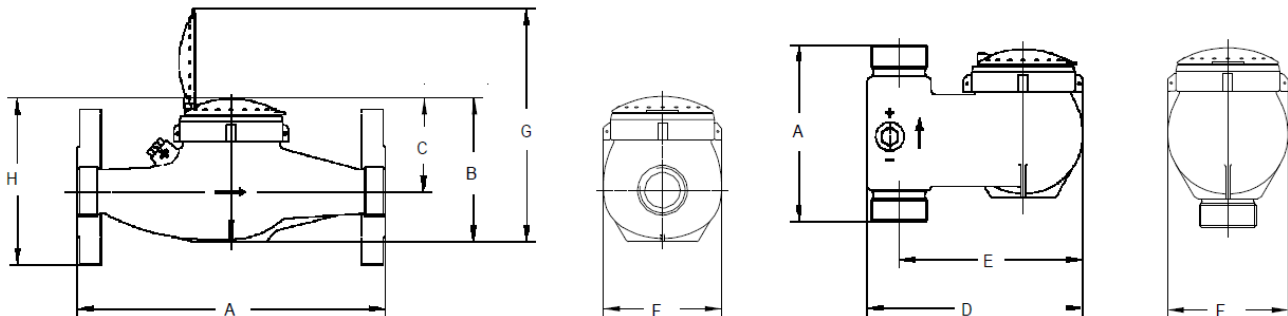
### HEAD LOSS DIAGRAM



## HYDRAULIC PERFORMANCE AND OVERALL DIMENSIONS

SIZE	mm	15	20	20	25	25	32	40	50	20	20	25	32	40
Performance		Horizontal installation (MTW)								Vertical installation (MTW-VS/MTW-VF)*				
Q <sub>3</sub>	m <sup>3</sup> /h	2.5	2.5	4	6.3	10	10	16	25	2.5	4	6.3	10	16
Q <sub>4</sub>	m <sup>3</sup> /h	3.125	3.125	5	7.875	12.5	12.5	20	31.25	3.125	5	7.875	12.5	20
Q <sub>2</sub>	l/h	40	40	80	126	200	200	320	500	40	80	126	200	320
Q <sub>1</sub>	l/h	25	25	50	78.75	125	125	200	312.5	25	50	78.75	125	200
Metrological class MID R Q <sub>3</sub> /Q <sub>1</sub>		R100	R100	R80	R80	R80	R80	R80	R80	R100	R80	R80	R80	R80
Maximum operating temperature	°C	90								90				
Flow profile sensitivity classes		U0-D0								U0-D0				
Nominal pressure PN	bar	16								16				
Nominal pressure PN (flanged design)	bar	-	-	25	25	25	25	25	25	-	-	-	-	-
Thread G...B	In.	3/4	1	1	1 1/4	1 1/4	1 1/2	2	2 3/8	1	1	1 1/4	1 1/2	2
Coupling thread R	n.	1/2	3/4	3/4	1	1	1 1/4	1 1/2	2	3/4	3/4	1	1 1/4	1 1/2
A	mm	165	220 (165/ 190)	220 (165/ 190)	260	260	260	300	300	105	105	150	150	200
Length without couplings	mm	240	314	314	374	374	374	434	454	199	199	264	264	334
B	mm	108	114	114	123	123	123	149	199	-	-	-	-	-
C	mm	73	73	73	80	80	80	103	142	-	-	-	-	-
D	mm	-	-	-	-	-	-	-	-	148	148	169	183	226
E	mm	-	-	-	-	-	-	-	-	130	130	143	156	190
F	mm	95	95	95	100	100	100	135	151	95	95	98	101	139
G	mm	185	185	191	200	200	200	226	240	-	-	-	-	-
Length with flanges	mm	-	-	190	260	260	260	300	300 (270)	-	-	-	-	-
H Height with flanges	mm	-	-	121	130	130	140	172	183	-	-	-	-	-
Flange outer diameter	mm	-	-	105	115	115	140	150	165	-	-	-	-	-
Screws		-	-	4	4	4	4	4	4	-	-	-	-	-
Weight without couplings	kg	1.7	2	2	2.6	2.6	2.7	5.1	5.7	-	-	-	-	-
Weight without couplings MTW-VS	kg	-	-	-	-	-	-	-	-	1.9	1.9	2.2	2.2	5.6
Weight without couplings MTW-VF	kg	-	-	-	-	-	-	-	-	2	2	3.4	3.6	6.9
Weight with couplings	kg	2	2.3	2.3	3.1	3.1	3.4	6.2	7.3	-	-	-	-	-
Weight with couplings MTW-VS	kg	-	-	-	-	-	-	-	-	2.2	2.2	2.7	2.9	6.7
Weight with couplings MTW-VF	kg	-	-	-	-	-	-	-	-	2.3	2.3	3.9	4.3	8
Weight with flanges	kg	-	-	3.7	4.9	4.9	4.9	9.7	10.3	-	-	-	-	-
Pulse options	l/pulse	10								10				
Module B no.		CH-MI001-07005-00												
Module D no.		511-00572												

\*VS: uprising flow/VF: descending flow



**maddalena**<sup>®</sup>  
[www.maddalena.it](http://www.maddalena.it)