

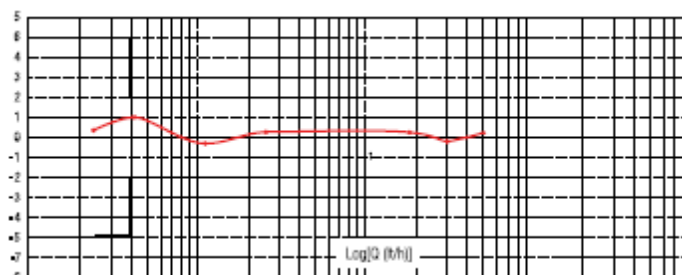


FEATURES

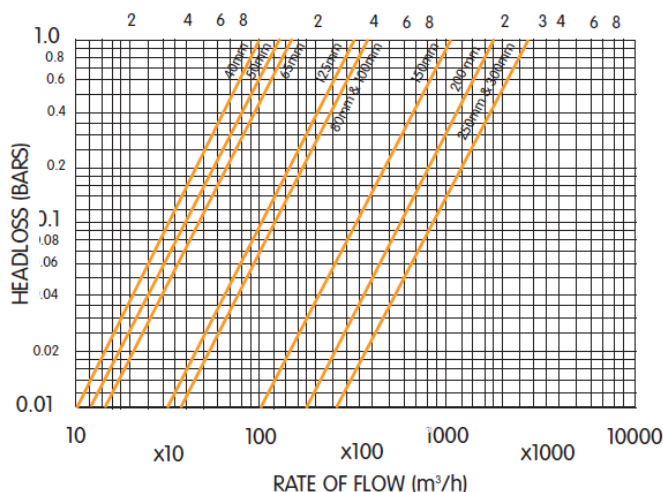
Woltmann-type, axial helix water meter

- Certified to the Directive 2004/22/EC on measuring instruments, European Standard EN 14154
- Cast iron body, flanged PN 16, epoxy powder coated
- Magnetic drive
- Operating temperature: 50 °C
- Vacuum sealed, condensation-proof dial, IP68 rating, transparent mineral glass lens, 360° rotating copper cover
- Tamper-proof cover
- Tungsten carbide and synthetic sapphire bearings
- Direct read dial with 6 numbered drums (40 mm to 125 mm meters) or 7 (150 mm to 300 mm meters)
- Retrofittable with an inductive pulser
- Suitable for horizontal, vertical or inclined installation positions
- Certified for use with potable water by WRAS and in accordance with the Italian decree D.M. 174

TYPICAL ERROR CURVE

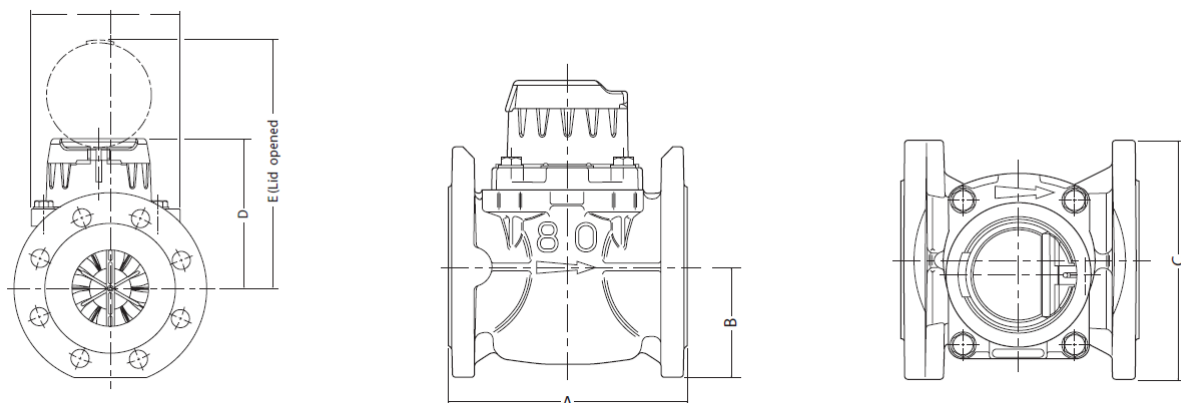


HEAD LOSS



HYDRAULIC PERFORMANCE AND DIMENSIONS

DN	mm	40	50	65	80	100	125	150	200	250	300
Performance according to Directive 2004/22/EC											
Q ₃	m ³ /h	63	63	63	160	160	160	400	630	1,000	1,600
Q ₄	m ³ /h	78.75	78.75	78.75	200	200	200	500	787.5	1,250	2,000
R (Q ₃ /Q ₄)		100									
Q ₁	m ³ /h	0.63	0.63	0.63	1.6	1.6	1.6	4	6.3	10	16
Q ₂	m ³ /h	1.008	1.008	1.008	2.56	2.56	2.56	6.4	10.08	16	25.6
Starting flow	m ³ /h	0.15	0.16	0.17	0.22	0.25	0.25	0.90	1.2	1.8	1.8
Head loss	Δp	40	25					16			40
Maximum registration	m ³	10 ⁶						10 ⁷			
Minimum registration	m ³	0.0005						0.005			
PN	bar	16									
Temperature class		T50									
Pulse options	l/pulse	1/10/100/1,000						10/100/1,000/10,000			
Flow profile sensitivity classes		U3/D0						U0/D0	U3/D0	U5/D0	
A	mm	300	200	200	225	250	250	300	350	450	500
B	mm	78	78	86	94	106	118	135	165	198	225
D	mm	148	148	148	159	159	159	206	228	246	246
E	mm	236	236	236	247	247	247	294	316	334	334
C	mm	151	166	186	201	228	251	286	341	409	461
Weight	kg	11.8	12.2	13	14.1	19.4	20.5	37.5	47.5	82	104




maddalena[®]
 www.maddalena.it